

# Rolls

**S2-270GEL**  
2V 270 AH @C20

**TUBULAR POSITIVE - OPzV - VALVE REGULATED GEL BATTERY**



**Rolls**  
BATTERY ENGINEERING  
BY SURRETTE BATTERY COMPANY

**CONSTANT CURRENT DISCHARGE**

CUT OFF VOLTAGE V/CELL	1HR	2HR	3HR	4HR	5HR	6HR	8HR	10HR	20HR
1.75V	139.3	86.75	63.05	49.25	42.50	38.25	29.59	25.50	13.39

**SPECIFICATIONS**

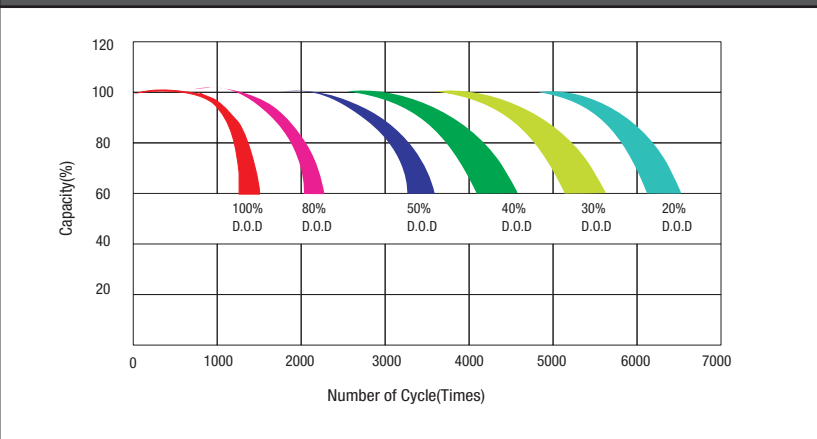
Nominal Voltage		2 Volt
Rated Capacity (20 hour rate)		270 AH
Dimensions	Total Height (including terminals)	390mm / 15.35"
	Length	124mm / 4.88"
	Width	206mm / 8.11"
	Weight	45.19 lbs / 20.5 Kg



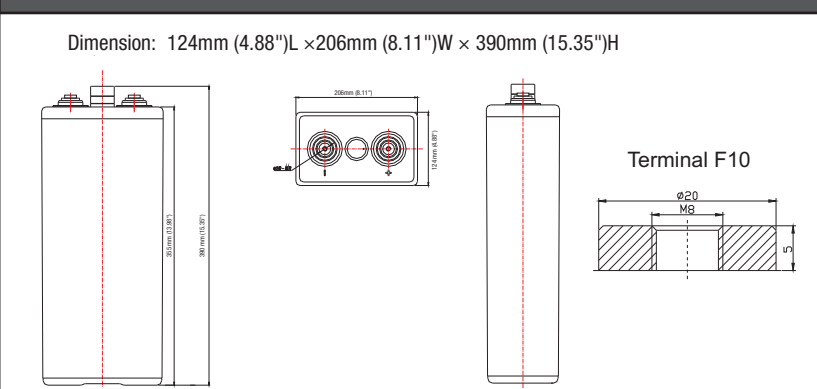
**CHARACTERISTICS**

Capacity 77°F (25°C)	100 Hour Rate	324 AH
	20 Hour Rate	270 AH
	10 Hour Rate	250 AH
Internal Resistance	Full charged Battery 77°F (25°C)	0.57mΩ
Capacity Affected by Temperature (20hr rate)	104°F (40°C)	105%
	77°F (25°C)	100%
	32°F (0°C)	89%
	5°F (-15°C)	79%
Self-Discharge	Less than 2% per month at 77°F (25°C)	
Max Discharge 77°F (25°C)	1200A (5s)	
Terminal	Standard	Thread insert & Bolt (F10-M8)
Float Charging Voltage Range	2.25 to 2.3 VDC/unit Average at 25°C	
Max Charge Current	50 Amps	

**CYCLE LIFE**



**SIZE & DETAILED ILLUSTRATION**



**TEMP EFFECTS ON LIFE AT FLOAT CHARGE**

