

Rolls

S2-320GEL
2V 320 AH @C20

TUBULAR POSITIVE - OPzV - VALVE REGULATED GEL BATTERY



Rolls
BATTERY ENGINEERING
BY SURRETTE BATTERY COMPANY

CONSTANT CURRENT DISCHARGE

CUT OFF VOLTAGE V/CELL	1HR	2HR	3HR	4HR	5HR	6HR	8HR	10HR	20HR
1.75V	167.1	104.1	75.66	59.10	51.00	45.90	35.50	30.60	16.07

SPECIFICATIONS

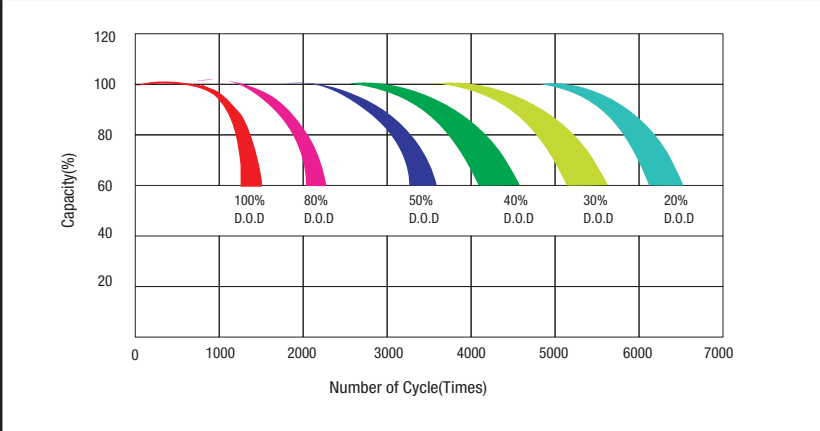
Nominal Voltage		2 Volt
Rated Capacity (20 hour rate)		320 AH
Dimensions	Total Height (including terminals)	390mm / 15.35"
	Length	145mm / 5.71"
	Width	206mm / 8.11"
	Weight	54.01 lbs / 24.5 Kg



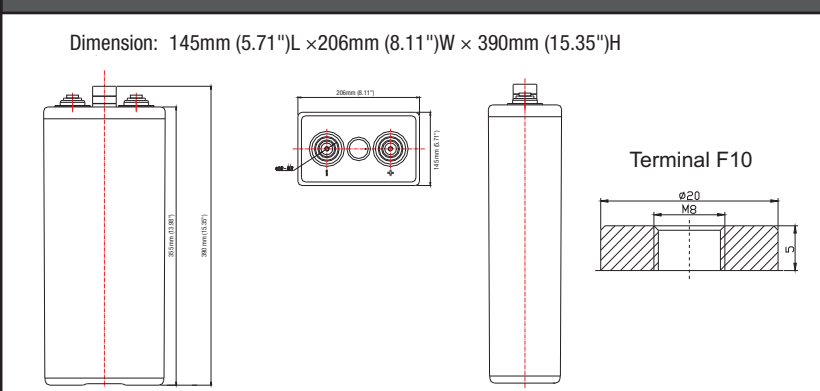
CHARACTERISTICS

Capacity 77°F (25°C)	100 Hour Rate	385 AH
	20 Hour Rate	320 AH
	10 Hour Rate	300 AH
Internal Resistance	Full charged Battery 77°F (25°C)	0.57mΩ
Capacity Affected by Temperature (20hr rate)	104°F (40°C)	105%
	77°F (25°C)	100%
	32°F (0°C)	89%
	5°F (-15°C)	79%
Self-Discharge	Less than 2% per month at 77°F (25°C)	
Max Discharge 77°F (25°C)	1350A (5s)	
Terminal	Standard	Thread insert & Bolt (F10-M8)
Float Charging Voltage Range	2.25 to 2.3 VDC/unit Average at 25°C	
Max Charge Current	60 Amps	

CYCLE LIFE



SIZE & DETAILED ILLUSTRATION



TEMP EFFECTS ON LIFE AT FLOAT CHARGE

