

Rolls

S2-450GEL
2V 450 AH @C20

TUBULAR POSITIVE - OPzV - VALVE REGULATED GEL BATTERY



Rolls
BATTERY ENGINEERING
BY SURRETTE BATTERY COMPANY

SAI GLOBAL
ISO 9001
Quality

CONSTANT CURRENT DISCHARGE

CUT OFF VOLTAGE V/CELL	2HR	3HR	4HR	5HR	6HR	8HR	10HR	20HR	100HR
1.75V	145.7	105.9	82.7	71.4	64.3	49.7	42.8	22.5	5.1

SPECIFICATIONS

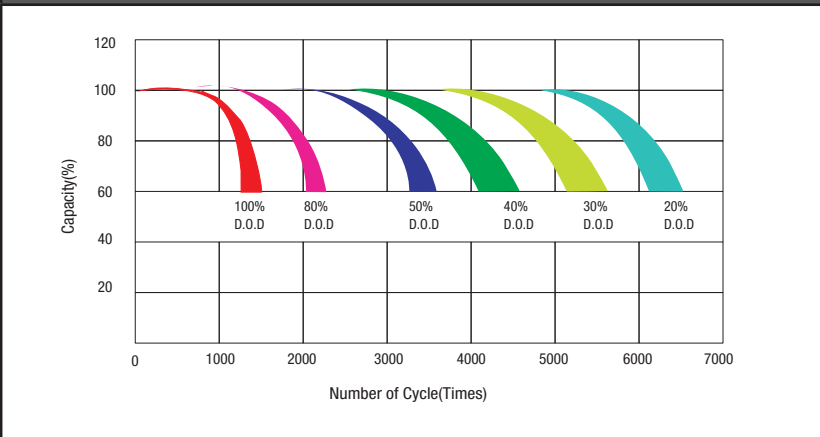
Nominal Voltage		2 Volt
Rated Capacity (20 hour rate)		450 AH
Dimensions	Total Height (including terminals)	506mm / 19.92"
	Length	145mm / 5.71"
	Width	206mm / 8.11"
	Weight	72.75lbs / 33 Kg



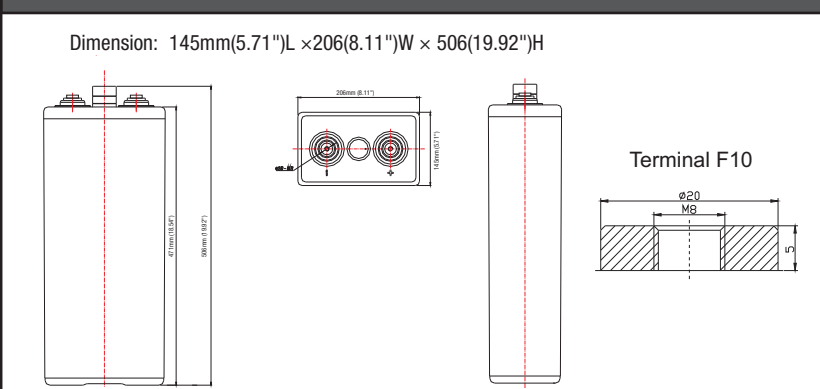
CHARACTERISTICS

Capacity 77°F (25°C)	100 Hour Rate	514 AH
	20 Hour Rate	450 AH
	10 Hour Rate	428 AH
Internal Resistance	Full charged Battery 77°F (25°C)	0.42mΩ
Capacity Affected by Temperature (20hr rate)	104°F (40°C)	105%
	77°F (25°C)	100%
	32°F (0°C)	89%
	5°F (-15°C)	79%
Self-Discharge	Less than 2% per month at 77°F (25°C)	
Max Discharge 77°F (25°C)	1700A (5s)	
Terminal	Standard	Thread insert & Bolt (F10-M8)
Float Charging Voltage Range	2.25 to 2.3 VDC/unit Average at 25°C	
Max Charge Current	84 Amps	

CYCLE LIFE



SIZE & DETAILED ILLUSTRATION



TEMP EFFECTS ON LIFE AT FLOAT CHARGE

