

# Rolls

**S2-535GEL**  
2V 535 AH @C20

**TUBULAR POSITIVE - OPzV - VALVE REGULATED GEL BATTERY**



**Rolls**

BATTERY ENGINEERING  
BY SURRETTE BATTERY COMPANY

SAI GLOBAL  
ISO 9001  
Quality

**CONSTANT CURRENT DISCHARGE**

| CUT OFF VOLTAGE V/CELL | 30MIN | 1HR   | 2HR   | 3HR   | 4HR   | 6HR   | 8HR   | 10HR  | 20HR  |
|------------------------|-------|-------|-------|-------|-------|-------|-------|-------|-------|
| 1.75V                  | 390.0 | 278.5 | 173.5 | 126.1 | 98.50 | 76.50 | 59.17 | 51.00 | 26.78 |

**SPECIFICATIONS**

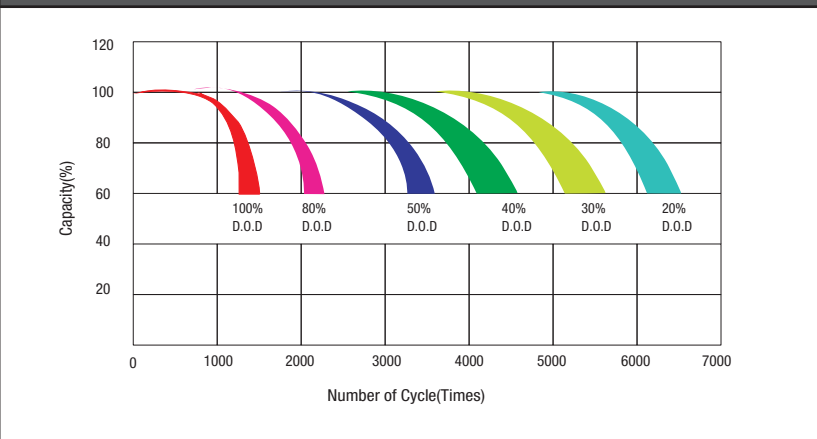
|                               |                                    |                     |
|-------------------------------|------------------------------------|---------------------|
| Nominal Voltage               |                                    | 2 Volt              |
| Rated Capacity (20 hour rate) |                                    | 535 AH              |
| Dimensions                    | Total Height (including terminals) | 506mm / 19.92"      |
|                               | Length                             | 166mm / 6.54"       |
|                               | Width                              | 206mm / 8.11"       |
|                               | Weight                             | 87.08 lbs / 39.5 Kg |



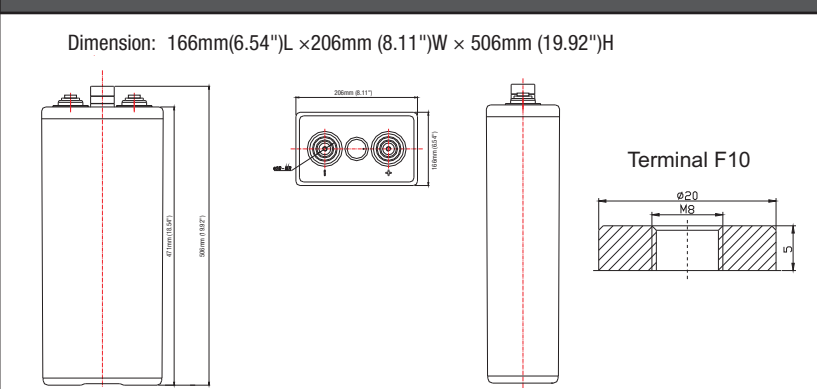
**CHARACTERISTICS**

|  |                                       |                                      |
|--|---------------------------------------|--------------------------------------|
| Capacity<br>77°F (25°C)                      | 100 Hour Rate                         | 625 AH                               |
|  | 20 Hour Rate                          | 535 AH                               |
|  | 10 Hour Rate                          | 490 AH                               |
| Internal Resistance                          | Full charged Battery 77°F (25°C)      | 0.35mΩ                               |
| Capacity Affected by Temperature (20hr rate) | 104°F (40°C)                          | 105%                                 |
|  | 77°F (25°C)                           | 100%                                 |
|  | 32°F (0°C)                            | 89%                                  |
|  | 5°F (-15°C)                           | 79%                                  |
| Self-Discharge                               | Less than 2% per month at 77°F (25°C) |                                      |
| Max Discharge<br>77°F (25°C)                 | 2000A (5s)                            |                                      |
| Terminal                                     | Standard                              | Thread insert & Bolt (F10-M8)        |
| Float Charging Voltage Range                 |                                       | 2.25 to 2.3 VDC/unit Average at 25°C |
| Max Charge Current                           |                                       | 100 Amps                             |

**CYCLE LIFE**



**SIZE & DETAILED ILLUSTRATION**



**TEMP EFFECTS ON LIFE AT FLOAT CHARGE**

