

Rolls

S2-855GEL
2V 855 AH @C20

TUBULAR POSITIVE - OPzV - VALVE REGULATED GEL BATTERY



CONSTANT CURRENT DISCHARGE

CUT OFF VOLTAGE V/CELL	30MIN	1HR	2HR	3HR	4HR	6HR	8HR	10HR	20HR
1.75V	624.0	445.6	277.6	201.8	157.6	122.4	94.67	81.60	42.84



Rolls
BATTERY ENGINEERING
BY SURRETTE BATTERY COMPANY

SPECIFICATIONS

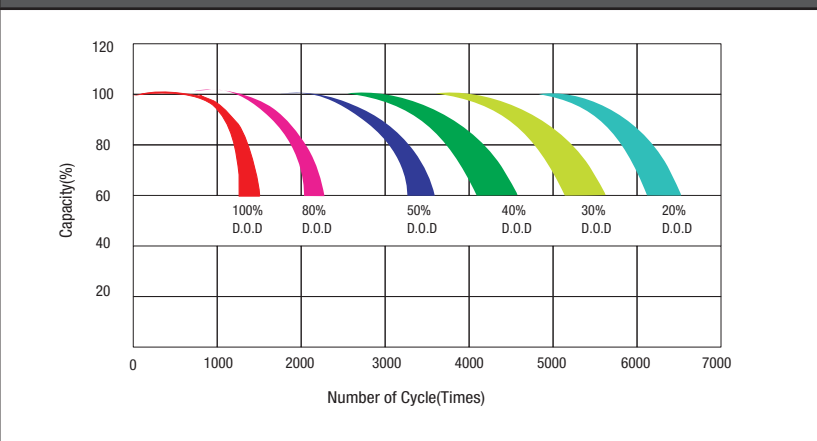
Nominal Voltage		2 Volt
Rated Capacity (20 hour rate)		855 AH
Dimensions	Total Height (including terminals)	681mm / 26.81"
	Length	191mm / 7.52"
	Width	210mm / 8.27"
	Weight	142.20 lbs / 64.5 Kg



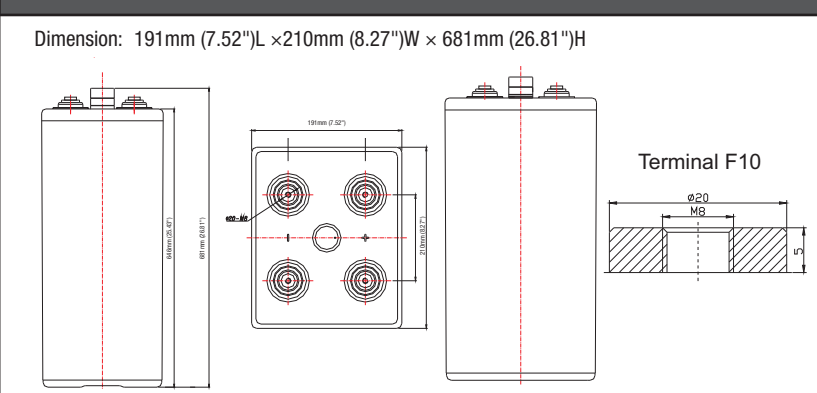
CHARACTERISTICS

Capacity 77°F (25°C)	100 Hour Rate	1000 AH
	20 Hour Rate	855 AH
	10 Hour Rate	800 AH
Internal Resistance	Full charged Battery 77°F (25°C)	0.30mΩ
Capacity Affected by Temperature (20hr rate)	104°F (40°C)	105%
	77°F (25°C)	100%
	32°F (0°C)	89%
	5°F (-15°C)	79%
Self-Discharge	Less than 2% per month at 77°F (25°C)	
Max Discharge 77°F (25°C)	3500A (5s)	
Terminal	Standard	Thread insert & Bolt (F10-M8)
Float Charging Voltage Range	2.25 to 2.3 VDC/unit Average at 25°C	
Max Charge Current	160 Amps	

CYCLE LIFE



SIZE & DETAILED ILLUSTRATION



TEMP EFFECTS ON LIFE AT FLOAT CHARGE

