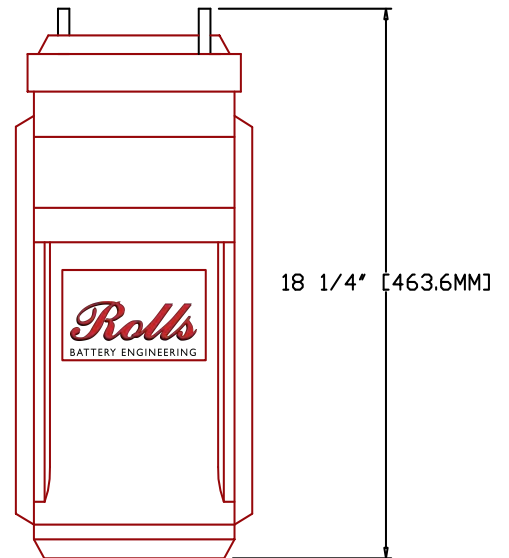
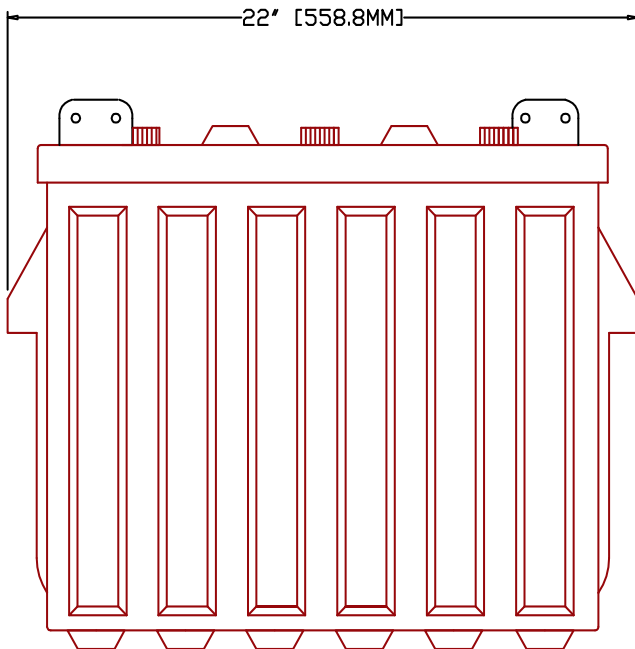
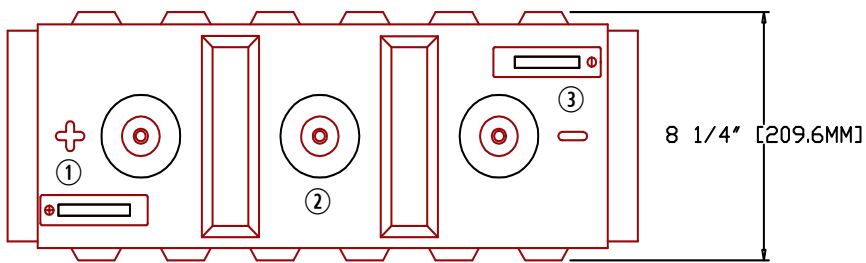


# Rolls

SERIES	MODEL	VOLTAGE	WARRANTY	20 HR RATE	100 HR RATE	TERMINAL TYPE	LENGTH		WIDTH		HEIGHT		WEIGHT	
							inches	mm	inches	mm	inches	mm	lbs	kg
5000	6 CS 17P	6 V	10 YEAR	546	770	FLAG	22 "	559 mm	8 1/4 "	210 mm	18 1/4 "	464 mm	221.0 lbs	100.24 kg



1.0		3 CELL / 6 VOLT	178.0 lbs	80.74 kg	6 CS 17P.DWG	16-10-2014	<a href="http://WWW.ROLLSBATTERY.COM">WWW.ROLLSBATTERY.COM</a> EMAIL: SALES@ROLLSBATTERY.COM PHONE: 1.800.681.9914
REV	JPEG NOT TO SCALE	DESCRIPTION	lbs	kg	DRAWING	DATE	
			DRY WEIGHT				