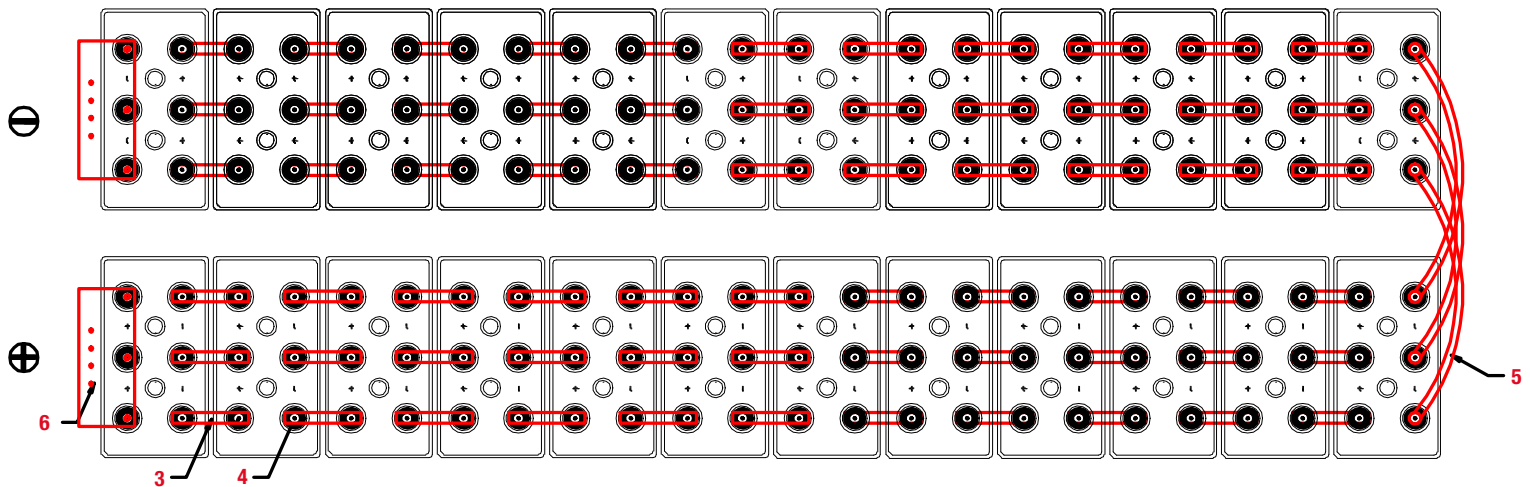


### Assembly Requirements:

Batteries **must** be installed in the positive and negative configuration shown in this illustration. Each battery should be spaced 20mm (3/4") apart and supplied copper bus bars used between cells as shown. Torque all cable connections appropriately.

COMPONENTS:		QUANTITY
7	Bulgy Bolt M8 x 60mm	32
6	Output Copper Bar 22cm x 8cm x .5cm	2
5	Soft Connect Line 60cm x 7cm	3
4	Bolt (M8 x 25mm)	145
3	Connect Copper Bar 12.2cm(4.8") x 2.5cm(.98") x .5cm(.2")	66
2	Rolls S2-2140GEL Battery	24
1	Battery Assembly Rack (Steel) 285cm(112.2") x 48.6cm(19.1") x 68cm(26.8")	2



REV	DESCRIPTION	DRAWING	DATE	WWW.ROLLSBATTERY.COM EMAIL: SALES@ROLLSBATTERY.COM PHONE: 1.800.681.9914
1.0	ROLLS S2-2140GEL 48V RACKING SYSTEM (2 ROW SINGLE TIER)	48V/S2-2140GEL RACK	09-30-2015	