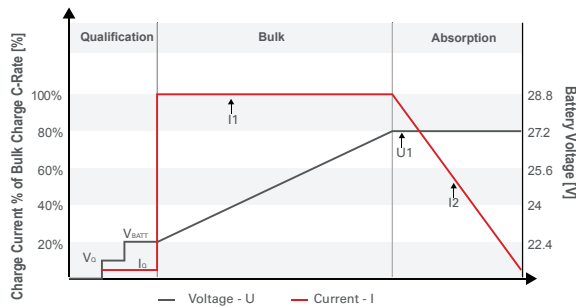




LiFePO₄ BATTERY

S24-2800LFP

Rolls LFP batteries allow for equipment design and functionality improvements and deliver productivity gains through enhanced cycling, charge time and weight reductions in stationary and mobile applications. Dramatic improvements in cycle life and charge efficiency combined with zero maintenance requirements provide the end-user with significant cost of ownership savings.



Efficient and Stable Discharge
Deliver > 95% of their capacity at high and stable voltages, increasing equipment performance and reducing motor fatigue.

Partial State of Charge (SOC)
Rolls LFP batteries will not suffer negative effects from partial SOC.

Battery Management System
Integrated Battery Management System to prevent abuse outside of current, voltage and temperature limits.

Renewable System Ready
Xanbus comm port provides plug and play integration with SE Conext XW+, SW, SCP, ComBox and Solar Charge Controllers

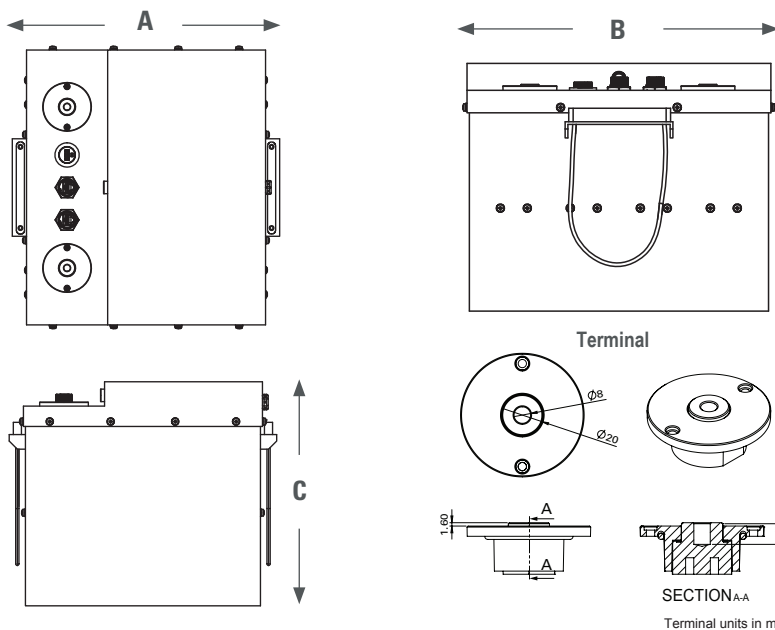
Nominal Voltage	24 V
Qualification Voltage (V _Q *)	Min 12 V / Max 24 V (I _Q < 1 A)
Battery Voltage (V _{BATT})	≥ 20 V
Bulk Current (I ₁)	55 A recommended 110 A maximum
Absorption Voltage (U ₁)	27.2 V
Termination Charge Current	I ₂ ≤ 2 A

*Qualification is optional to utilize Auto-On feature

CAUTION:

Do not mix with lead acid batteries when recycling. Do not mix with lead acid batteries when recycling. Do not mix with lead acid batteries when recycling.

DIMENSIONS



NOTE:
Qualification is a hand shaking procedure that allows a charger to wake up an Auto-On equipped Rolls LFP battery. Qualification is an optional feature and is not required for standard charging.

CAUTION :
Extra considerations must be given to depths of discharge, operating voltages and currents when designing systems for use at maximum operating temperatures.

SAFETY & PERFORMANCE CERTIFIED

- IEC 62133
- UL 2271
- UL 1973
- UN 38.3

SHIPPING CLASSIFICATION

- UN 3480, Class 9 (Lithium ion batteries)

Specifications

Length (A)	329.5 mm	13 in
Width (B)	347.5 mm	13.7 in
Height (C)	276 mm	10.8 in
Weight	40 kg	88 lb
Terminal	M8	
Terminal Torque	9 Nm +/- 3	6.64 ft-lb
Case Material	Steel	
IP Rating	IP 55	

Charge & Electrical Specifications

Nominal Voltage	25.6 V
Charge Voltage	27.2 V
Maximum Voltage*	29.2 V
Minimum Voltage	22.4 V
Nominal Capacity	110 Ah
Nominal Energy	2816 Wh
Max Continuous Current	110 Adc
Peak Current	300 Adc (3 seconds)

Electrical Specifications at 25°C.
* Do not exceed maximum voltage at the battery terminals.

Constant Power - Minutes of Discharge			
500 W	1000 W	2000 W	2500 W
337	168	84	68
Constant Current - Minutes of Discharge			
@10A	@25A	@50A	@100A
660	264	132	66

Cell Chemistry	LiFePO ₄	
Cell Modules	8S 22P	
Charge Temperature	0°C / 45°C	32°F / 113°F
Discharge Temperature	-20°C / 50°C	-4°F / 122°F
Storage Temperature	-20°C / 45°C	-4°F / 113°F
Self-Discharge 25°C (77°F)	< 3% per month (battery off)	

CAUTION: Extra considerations must be given to depths of discharge, operating voltages and currents when designing systems for use at maximum operating temperatures.



Do not mix with lead acid batteries when recycling.



LITHIUM-ION STATIONARY APPLICATION BATTERY MH63708

